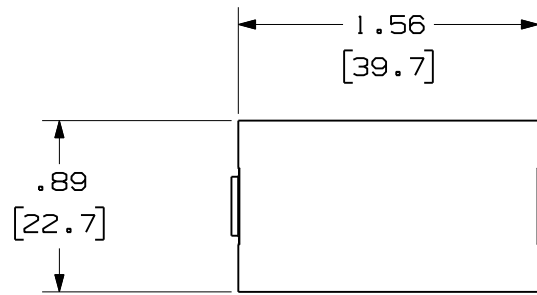
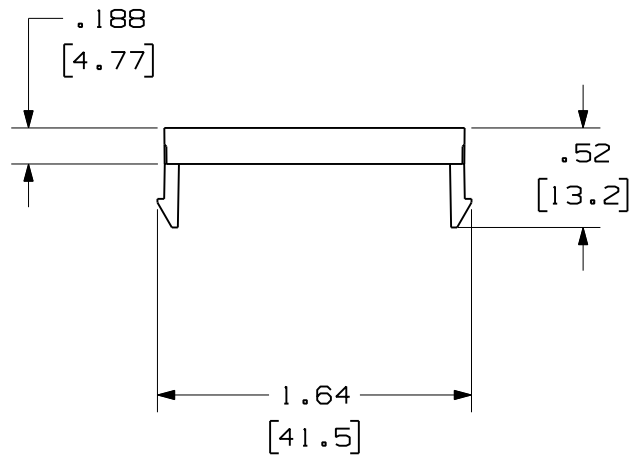


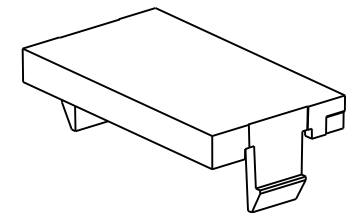
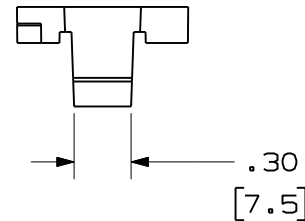
THIS COPY IS PROVIDED ON A RESTRICTED BASIS AND IS NOT TO BE USED IN ANY WAY DETRIMENTAL TO THE INTERESTS OF PANDUIT CORP.



TOP VIEW



FRONT VIEW



PANDUIT PART NO.	WEIGHT
CHB2M**-X	.006 LB/ea
1APHB2MWH-X	(2.61 g/ea)



NOTES:

- SEE CURRENT CATALOG FOR ADDITIONAL PART NUMBER SUFFIXES TO INDICATE PACKAGE QUANTITY.
- TO BE USED WITH MINI-COM BEZELS.
- DIMENSIONS IN PARENTHESES ARE IN METRIC.

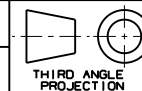
MODEL FILENAME	SIZE
DRAWING FILENAME	A
D35544CF_DC30/00B	



1/3 SIZE BLANK INSERT  
CUSTOMER DRAWING

**PANDUIT**<sup>®</sup>  
TINLEY PARK, IL 60487

I.I. NUMBER  
PRODUCT SPEC/ PKG SPEC  
ASSY METHOD/ TEST METHOD



ALL DIMENSIONS ARE GIVEN IN INCHES, UNLESS OTHERWISE SPECIFIED.  
DIMENSIONAL TOLERANCES ARE:  
(.X) ± (.XXX) ±.010(.3)  
(.XX) ±.03(.8) ANGLES ±

SCALE

FULL

DRAWN BY RCA	REVIEW DRAWING NUMBERS	PART NO. SEE TABLE
DATE 2-07-97	MAT'L ABS	DRAWING NO. 35544-30
CHK'D CEF		

REV	DATE	BY	CHK	DESCRIPTION	ECN	R	CUST	SUP	OTH
2	6-6-11	BJN	JCO	B. ADDED SUPPLEMENTAL P/N 1APHB2MWH-X	35544-30	JCO	JCO		
1	9-11-97	RCA	CEF	A. REV'D DWG. TITLE WAS 1/3 BLANK INSERT.	35544-30	CEF	CEF		
R	2-07-97	RCA	CEF	RELEASED TO PRODUCTION	35544-30	CEF			